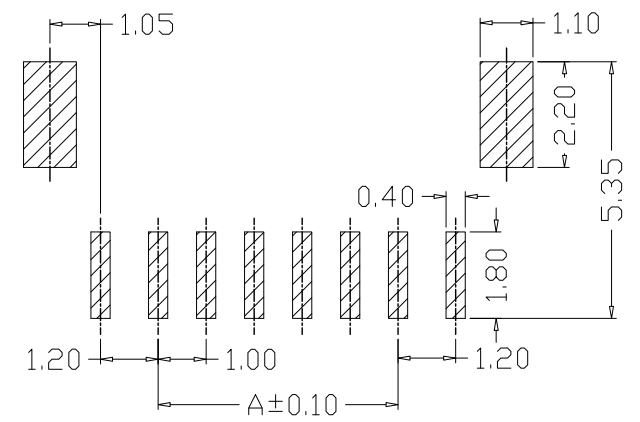
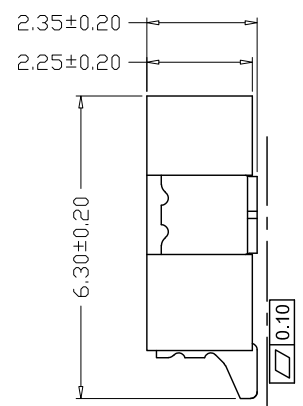
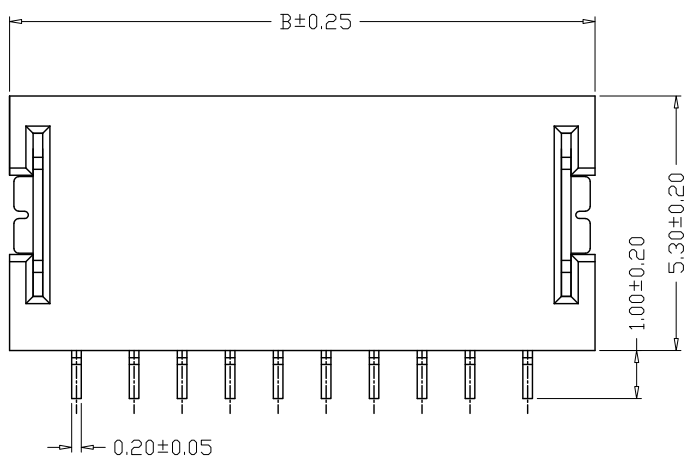
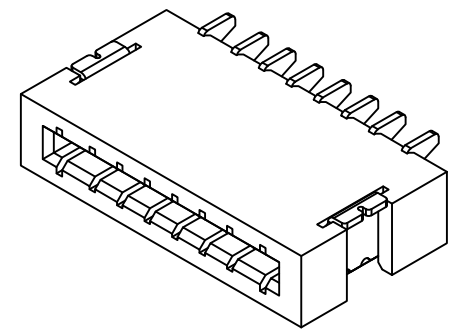
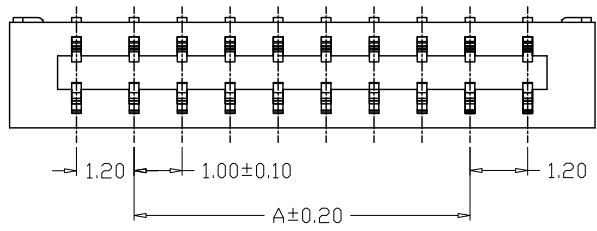


版本 REV.	日期 DATE	ECN NO.	变更内容 DESCRIPTION	制图 DRAWN



PCB LAYOUT

PIN	尺寸 (mm)	
	A	B
-04+2AWB	3.00	8.20
-05+2AWB	4.00	9.20
-06+2AWB	5.00	10.20
-07+2AWB	6.00	11.20
-08+2AWB	7.00	12.20
-09+2AWB	8.00	13.20
-10+2AWB	9.00	14.20
-11+2AWB	10.00	15.20
-12+2AWB	11.00	16.20

SPECIFICATIONS

- Current Rating: 1A AC, DC
- Voltage Rating: 125V AC, DC
- Temperature Range: -25°C ~ +85°C
- Contact Resistance: 20mΩ Max
- Insulation Resistance: 100MΩ Min
- Withstanding Voltage: 500V AC/minute
- Material: Wafer LCP, UL94V-0 Black
PIN Phosphoric copper Tin-plated
Solder tabs Phosphoric copper Tin-plated

GENERAL TOLERANCE		制图	张迎春	料号	B10009-(n+2)AWB	版本	A
X.X±0.25	X.*±2'	DRAWING	2022.08.26	PART NO.		REV.	
X.XXX±0.10		审核	钱岳生	品名	FPC1.0 卧贴	页次	1/1
X.XX±0.20		CHECK	2022.08.27	TITLE	WAFER SMT TYPE	SHEET	
		核准	张名	客户料号			
		APPROVAL	2022.08.27	CUTM. NO.			
		单位	MM	比例	1:1	乐清市宏一电子有限公司	
		UNITS		SCALE		YUEQING HONGYI ELECTRONICS CO., LTD	